
	Product Information XST40-160/30	Manufacturer	LEO
		Address	China,Zhejiang,Wenling
		Contact	0576-89988888
		Date	2023/02/16
Project Name		Client Name	
		Client Addr.	koslan
Item NO		Contacts	luis guajardo
		Contact	

Part NO.	50005221
----------	----------

Product Picture	Note
	<p>Water supply: Water filtration and transportation, the main pipeline pressurization; Pressurization for high-rise buildings, hotels, etc.</p> <p>Industry: Flushing and cleaning system, boiler feed water, cooling water circulation, water treatment system, equipment supporting system.</p> <p>water treatment: Ultrafiltration system, reverse osmosis system, distillation system, separator, swimming pool.</p> <p>Other: Air conditioning system; heating system; agricultural irrigation, fire fighting system</p>

Nameplate parameters

flow	29 m ³ /h
head	25 m
Efficiency	69
speed	2900
number of stages	1

Technical

Flow range (m ³ /h)	2.9-45m ³ /h
Curve tolerance	ISO 9906 Annex A
Maximum lift (m)	31.8m
Maximum Altitude	1000m



Material

Impeller	HT200/06Cr19Ni10
Pump inlet	HT200
Pump shaft	
Fan cover	08F
O-ring	NBR
Rear end cover	ZL102
Connector	HT200
Fan	PP
Cover box	ABS
Supporting foot	HT200
Guard plate	

Working conditions

Medium temperature (°C)	-10°C+85°C
Max. ambient temperature (°C)	+40°C
Pumped medium	Liquid without solid particles and long fiberslow viscositynon-combustiblenon-corrosion liquid or other
Critical cavitation margin	2m
Working pressure	12bar

Installation

Structure Type	Non-standard motor (Coaxial)
Connection method	Flange connection / thread-connection
Inlet diameter (mm)	DN65
Outlet diameter (mm)	DN40

Motor

Motor phase	Three phase
-------------	-------------



Product Information
XST40-160/30

Manufacturer	LEO
Address	China,Zhejiang,Wenling
Contact	0576-89988888
Date	2023/02/16
Client Name	
Client Addr.	koslan
Contacts	luis guajardo
Contact	

Project Name

Item NO

Protection class	IP54
Motor poles	2
Insulation class	F
Motor power (KW)	3kW
Motor model	XST32-200/30
Frequency	50Hz
Rated voltage (V)	380V
Rated current (A)	6.5A
Efficiency class	
Power factor	
Seal	
Mechanical seal	TF PB20-22
Weight/Packaging	
Net weight (kg)	50kg
Gross weight (kg)	56kg
Package size	555x295x405mm





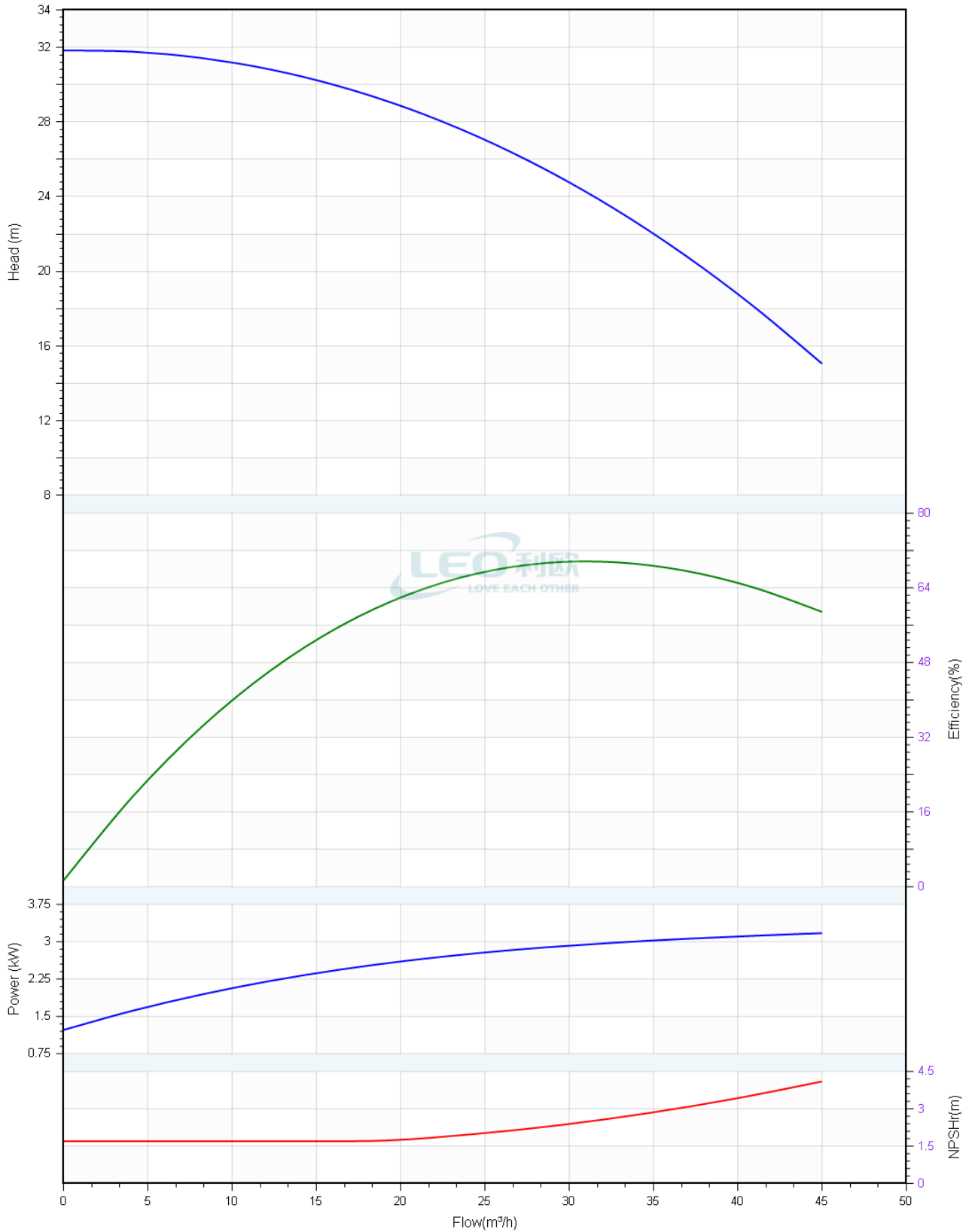
Performance Curve

XST40-160/30

Manufacturer	LEO
Address	China,Zhejiang,Wenling
Contact	0576-89988888
Date	2023/02/16
Client Name	
Client Addr.	koslan
Contacts	luis guajardo
Contact	

Project Name	
Item NO	

The hydraulic performance curve have been tested with Water at $^{\circ}\text{C}$, density 1000kg/m^3 , and at 1bar atmospheric pressure. GB32162016 Grande 3B





Pump Technical Parameters

XST40-160/30

Manufacturer	LEO
Address	China,Zhejiang,Wenling
Contact	0576-89988888
Date	2023/02/16

Project Name	
--------------	--

Client Name	
Client Addr.	koslan

Item NO	
---------	--

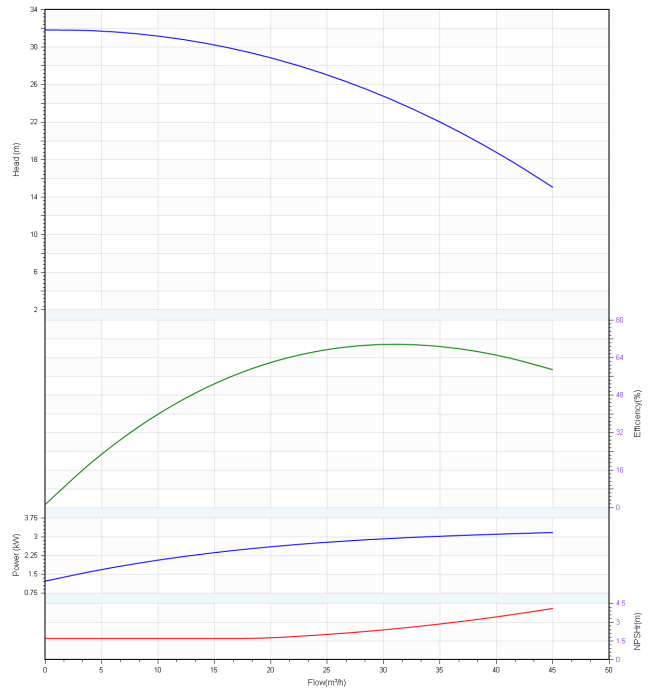
Contacts	luis guajardo
Contact	

Rated parameters

Pump model	XST40-160/30
Part NO.	50005221
Rated flow	29 m ³ /h
Rated head	25 m
Rated efficiency (%)	69
Power (kW)	2.86
NPSHr (m)	2
Speed (rpm)	2900

Medium

Pumped medium	Water
Working temperature (°C)	20
Medium density (kg/m ³)	1000
Viscosity (mm ² /s)	1





Structure picture
XST40-160/30

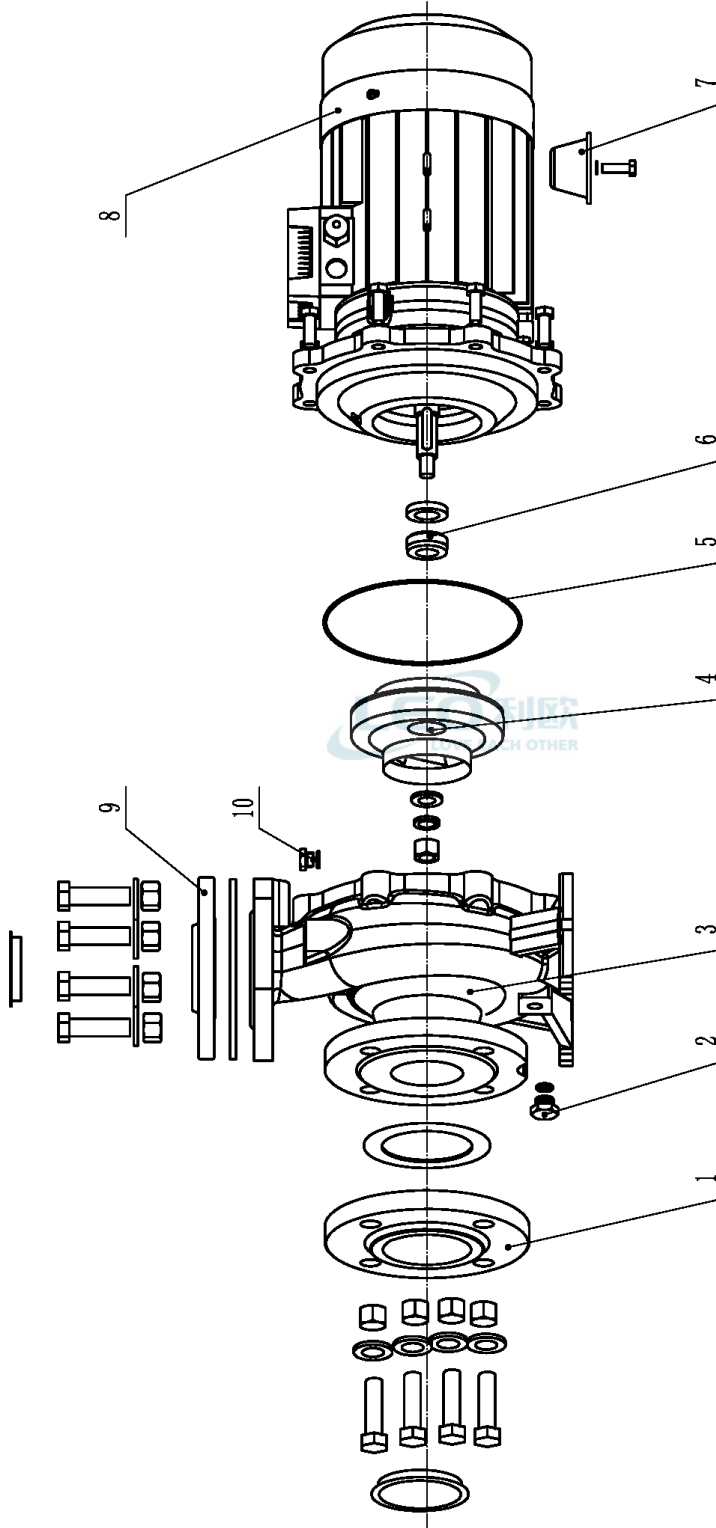
Manufacturer LEO
Address China,Zhejiang,Wenling
Contact 0576-89988888
Date 2023/02/16

Project Name

Client Name
Client Addr. koslan

Item NO

Contacts luis guajardo
Contact



- 1, Inlet flange
- 2, Drain plug
- 3, Pump body
- 4, Impeller
- 5, 0-ring
- 6, Mechanical seal
- 7, Foot
- 8, Motor
- 9, Outlet flange
- 10, Filling plug



Physical picture
XST40-160/30

Manufacturer	LEO
Address	China,Zhejiang,Wenling
Contact	0576-89988888
Date	2023/02/16
Client Name	
Client Addr.	koslan
Contacts	luis guajardo
Contact	

Project Name

Item NO

